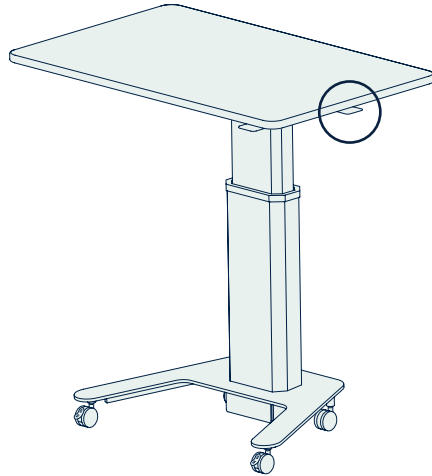
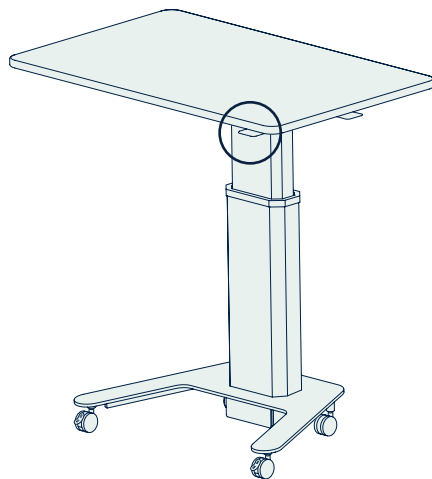
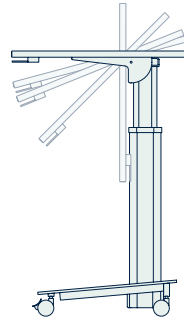


HOW TO ADJUST JIMMY



ADJUST TOP ANGLE

1. Press and hold the lever on the right side of the table with your right hand
2. Grab the table top with your left hand. Pull slightly towards you or upwards until the lock releases with a "click." Adjust the table top to any of the 4 preferred positions.



ADJUST HEIGHT

1. Press and hold the lever on the front side of the table with your right hand.
2. Grab the table top with your left hand. Push slightly downwards until the lock releases with a "click." Adjust the table to the desired height.

