





This is Jimmy — your new work-from- anywhere table.

WE'RE THRILLED TO BE INTRODUCING
OUR NEWEST PERSONAL TABLE: JIMMY.
WITH AN ELEVATED APPROACH TO AN
ADJUSTABLE WORKSTATION, JIMMY
PROVIDES THE FLEXIBILITY YOU CRAVE.

FULLY ADJUSTABLE

Jimmy adjusts in every way you need and in ways you weren't expecting. Starting with the top — Jimmy comes with five possible angles. From a traditional flat worksurface, to a completely flipped top, with three options in-between for drafting, drawing, writing, or whatever you need to get the job done. It's fully height adjustable allowing you to seamlessly move between sitting and standing throughout the day. Last, but certainly not least, it comes on casters, ready to move to wherever you need to set up shop. Or flip the top and slide it out of the way when you don't need it at all.

REFINED FINISHES

Jimmy comes with a clean and versatile offering of three base colors, all of which are easily matched with our full range of finishes for the top to make it truly yours. As a final touch, select one of four edge offerings for Jimmy — allowing you to highlight the natural Baltic birch plywood or add in a urethane edge or an edgeband in the color of your choice.



JIMMY OVERVIEW

For more product information on the Jimmy Table, visit www.surfaceworks.us/product/Jimmy.

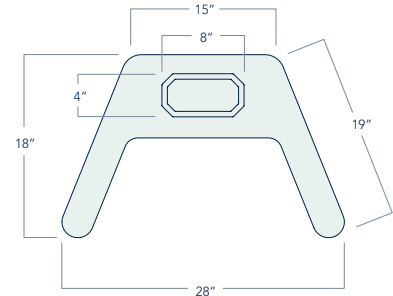
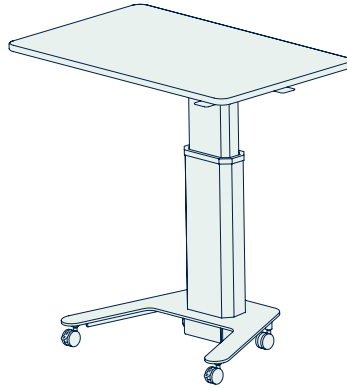
SIZE & SHAPE

Top Shape: Rounded Rectangle

Top Sizes: 24" x 38" x 0.8"
24" x 30" x 1.2"

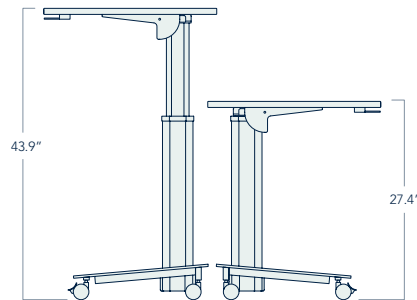
Base Footer Shape: Splayed & Inclined

Base Footer Size: 18" x 28"



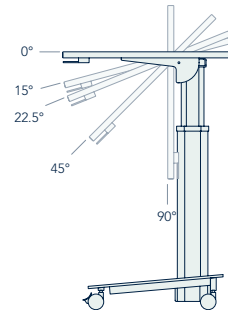
HEIGHT ADJUSTABILITY

Height Range: 27.4" - 43.9"



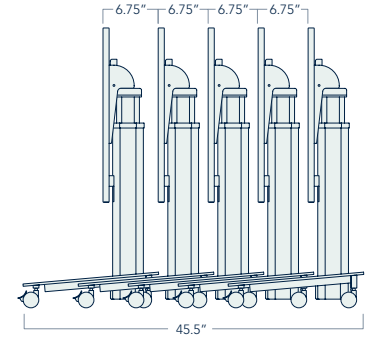
TILT FUNCTION

Tilts to 5 Locked Positions



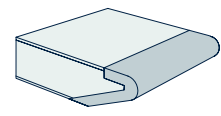
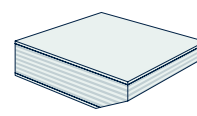
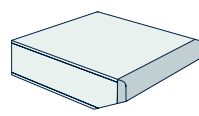
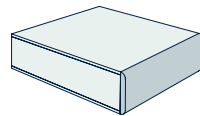
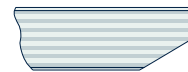
FLIPPING & NESTING

Flip-Top with Straight-On Nesting



EDGE OFFERING

Edgeband
Birch Plywood
Urethane



Edgeband

Edgeband
w/Knife Profile

Knife Profile
w/ Plywood Reveal

Urethane
Knife Profile

CASTERS

Locking Casters
are Standard

