



Truly adjustable in every way, Wing-It solves the need for a personal table or workstation wherever you are — whether in a learning space, around the office, floating between healthcare rooms, in a hotel lobby, or even at home. Wing-It has a thoughtfully designed winged-shaped top in an intentionally small footprint.



---

## MOBILE FRIENDLY

Slide it in, move it over, get it out of the way — Wing-It, coming standard with casters, can be wherever you need it (or disappear when you don't need it at all). Use this to bring a group together, pull up an extra seat, provide a visiting workspace, create a pop-up training solution — the list is endless. It simply slides around to fit the right solution for you.



---

## HEIGHT ADJUSTABLE

Sit, stand, or whatever in between — Wing-It is height adjustable, making it an easy option for any person. With a simple pull of a lever, slide the top up or down with easy-to-use pneumatic technology. The single column base keeps the adjustability uncomplicated, so each user can find their happy spot (and when they need to move, they can adjust again).



---

## STORE IT AWAY

Need a desk solution, but just sometimes? Wing-It has an optional flip top and a base designed for nesting. Adding to the flexibility, when you don't need it, store it away with a simple and small footprint.



---

## MAKE IT YOURS

With four unique edge offerings in a variety of colors, a range of material options for the surface, and our standard selection of base options, you can make Wing-It work for you. Not seeing exactly what you're looking for? Talk to our team about possibilities to customize Wing-It even further.

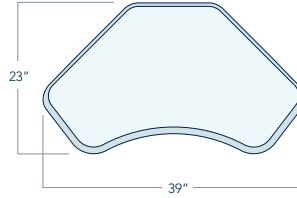
# WING-IT OVERVIEW

For more product information on the Wing-It Personal Table, visit [www.surfaceworks.us/product/wing-it](http://www.surfaceworks.us/product/wing-it).

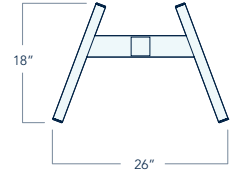
## SHAPE & SIZE

Top Shape: Wing  
 Top Size: 23" x 39"  
 Top Thickness: 0.8"

Base Footer Shape: Splayed  
 Base Footer Size: 18" x 26"



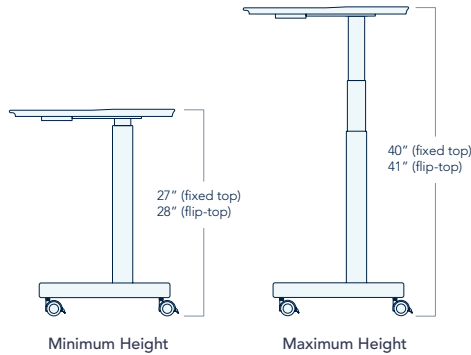
Wing-Shape Top



Splayed Base Footer

## HEIGHT ADJUSTABILITY

Height Range with Fixed Top: 27" - 40"  
 Height Range with Flip-Top: 28" - 41"

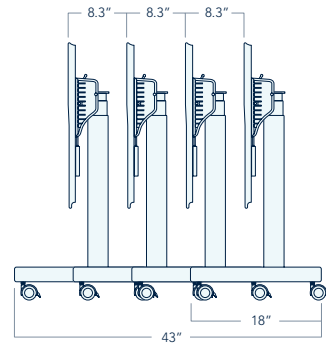


Minimum Height

Maximum Height

## FLIPPING & NESTING

Available in Flip-Top with Straight-On Nesting  
 Additional Nesting Space: 8.3"



## EDGE OFFERING

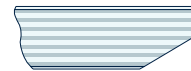
Edgeband  
 Birch Plywood  
 Urethane



AB•EB•EB9  
 Edgeband



PK1  
 Edgeband w/Knife Profile



BP1  
 Plywood Knife Profile



MR4X  
 Urethane Flex Profile

## CASTERS

Locking Casters  
 are Standard

