



SURFACEWORKS



**JIMMY
PERSONAL TABLE**

SPECIFICATION & PRICING GUIDE

FEBRUARY 2025



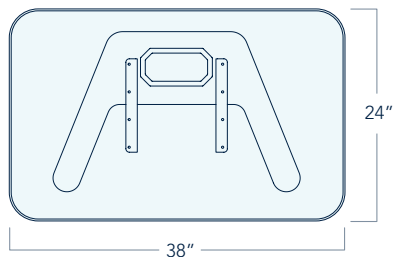


Standards

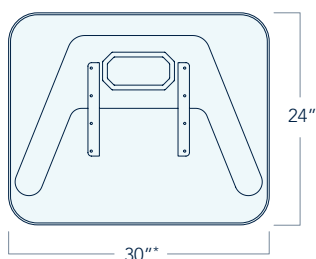
Meets or exceeds applicable ANSI/BIFMA durability and safety standards and is SCS Indoor Advantage Gold certified.

Statement of Line

Top Thickness: 0.8"
Shape: Rounded Rectangle
Size: 24D x 38W



Top Thickness: 1.2"
Shape: Rounded Rectangle
Size: 24D x 30W



*Actual finished width is undersized at 29.5"

The Jimmy Table is offered in **rounded rectangle** shape in two top sizes: **24" x 38" in 0.8"** top thickness, and **24" x 30" in 1.2"** top thickness.

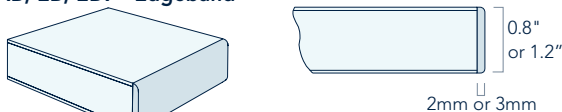
Standard features include **height adjustability, flipping/nesting, and tilt.**

Top & Edge Construction

Edge Model: BP1 - Baltic Birch Plywood



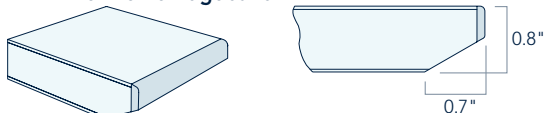
Edge Models: AB, EB, EB9 - Edgeband



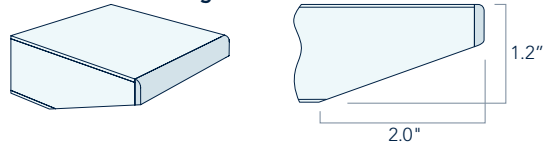
Edge Model: MR1 - Urethane



Edge Model: PK1 - Knife Profile Edgeband



Edge Model: PK4 - Knife Profile Edgeband



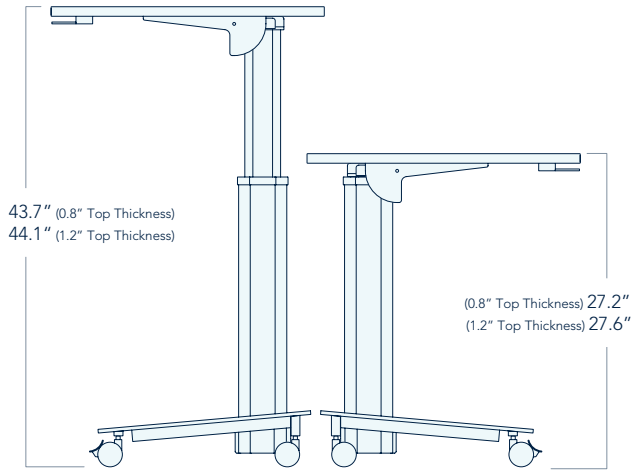
Edge Model BP1: constructed with high-pressure laminate, birch plywood core with a coated reveal and backed with phenolic to form a sealed outside surface.

Edge Models AB, EB, EB9, MR1: constructed with high-pressure laminate, particleboard core, edged with urethane or edgeband and backed with phenolic to form a sealed outside surface.

Edge Models PK1 & PK4: constructed with high-pressure laminate, MDF core with a coated reveal, edged with edgeband and backed with phenolic to form a sealed outside surface.

Jimmy Table Standard Edge Models				
Edge Material	Edge Model	Description	Availability	
			0.8" Thickness 24D x 38W	1.2" Thickness 24D x 30W
Plywood	BP1	Plywood Knife Profile w/ Laminate overlay	●	n/a
Edgeband	AB	2mm ABS Flat Profile	●	●
	EB	2mm or 3mm ABS or PVC Flat Profile	●	●
	EB9	2mm 3D Premium Acrylic Flat Profile	●	●
	PK1	2mm or 3mm ABS or PVC Edgeband with Knife Profile & MDF reveal	●	n/a
	PK4		n/a	●
Urethane	MR1	Urethane Knife Profile	●	n/a

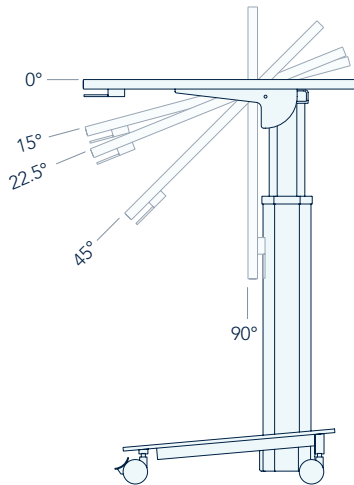
Height Adjustability



The Jimmy Table column features a constant force spring mechanism that includes a **safety break with integrated locking** that enables smooth and safe adjustment of tabletop height.

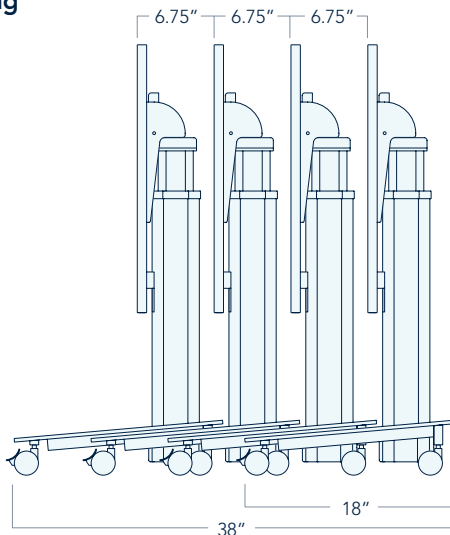
Jimmy Table Height Ranges		
Top Thickness	Minimum Height	Maximum Height
0.8" Top Thickness	27.2"	43.7"
1.2" Top Thickness	27.6"	44.1"

Tilt Function



The Jimmy flip mechanism allows the tabletop to be **tilted and locked securely** at the following angles: 15°, 22.5°, 45° and 90°.

Flip-Top/Nesting



The Jimmy Table safely and easily flips down with the inclined base providing for **straight-on nesting**. Each additional nested table adds approximately 6.75" to the overall depth of all nested tables.

Jimmy Table Nesting Density		
Table Quantity	Added Depth Each Additional Table	Total Nested Depth (rounded)
2 Tables	6.75"	25"
4 Tables		38"
8 Tables		65"

JIMMY PERSONAL TABLE

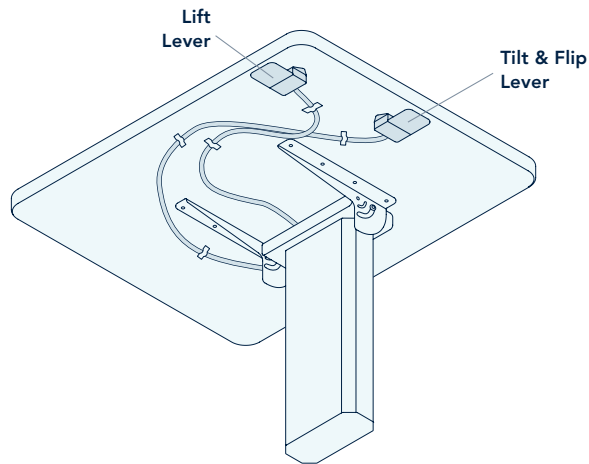
SPECIFICATIONS

Lift & Tilt Levers, Base Construction, Casters

SURFACEWORKS PRICING GUIDE

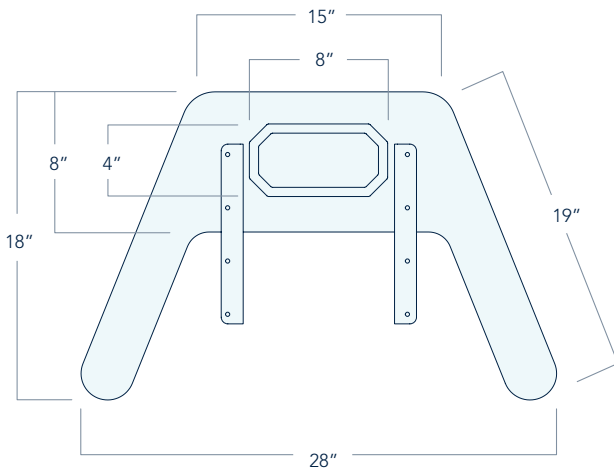
ORIGINAL LINES

Lift & Tilt Levers



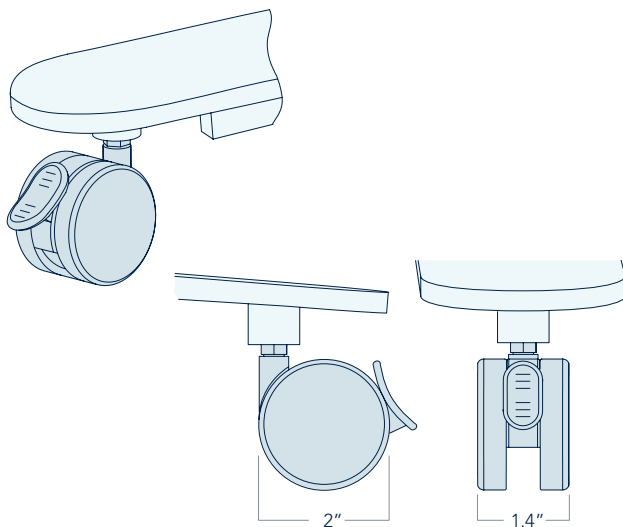
The Jimmy Table features **two adjustment levers**: The front lever controls lift and the side lever controls flip and tilt. Refer to **user guide** for instructions.

Base Construction



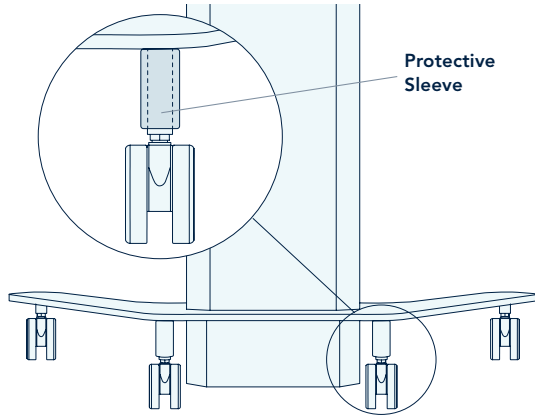
The Jimmy Table height adjustable base and column are made from formed steel and bolted together. The base can support a recommended **maximum weight of 20 lbs.** (in addition to the top.)

Casters



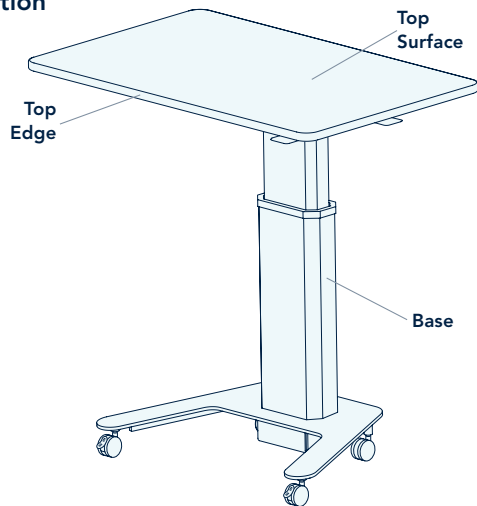
The Jimmy Table is equipped with with **four black 2" dia. casters**, including two locking casters in the front.

Protective Sleeves



The Jimmy Table is equipped with **rubber sleeves** on the two back caster stems to protect the base when nested.

Finish Selection



There are **three Jimmy Table components that require finish selections** - top surface, top edge and base (see chart below).

[Click Here](#) to review all current colors and finishes.

Jimmy Table Finish Selection					
Finish Type	High-Pressure Laminate	Metal Powdercoat	Edge Models		
			MR1	AB, EB, EB9, PK1, PK4	BP1
Top Surface Color:	●				
Base Color:		●			
Urethane Edge Color:			●		
Edgeband Color:				●	
Plywood Edge Finish:					W791 Plywood Multiplex

Shipping & Assembly

The Jimmy Table is shipped **knocked down and requires assembly**. Table top is pre-drilled for easy assembly to base.

Model Number

Example: JMS1R.2438

Top Edge Treatment

See spec & pricing pages to review available standard edge treatments.

Standard Edge Treatment..... std
 Other Edge Treatment..... quote required

Top Edge Finish

[Click here](#) to review all current edge finishes.

EB/PK1/PK4: Standard Edgeband Colors..... std
 AB: Standard AB Edgeband Colors..... std
 EB9: Standard EB9 Edgeband Colors..... std
 MR1: Standard Urethane Edge Colors..... std
 BP1: W791 Plywood Multiplex..... std
 Other Edge Colors..... quote required

Top Surface Finish

[Click here](#) to review all current top surface finishes.

Group 1 Laminate..... std
 Group 2 Laminate..... std
 L610 Markerboard*..... quote required
 Other Laminate..... quote required
 *Black edge recommended

Base Finish

P300 Black..... std
 P348 Designer White..... std
 P465 Bronze Metallic..... std

Base Foot

Casters..... std
 Glides..... n/a

JIMMY PERSONAL TABLE

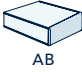




PRICING

0.8" Top Thickness, Height Adj, Flip-Top, Tilt

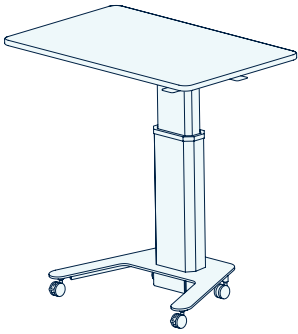
SURFACEWORKS PRICING GUIDE

ORIGINAL LINES



A EDGE BAND	B PREMIUM EDGE BAND	B KNIFE EDGE BAND	C URETHANE EDGE	D BALTIC BIRCH PLYWOOD
 AB				
EB	EB9	PK1	MR1	BP1

Rounded Rectangle



DIMENSIONS	MODEL NUMBER	A	B	C	D	E
24D x 38W x 27-44HR	JMS1R.2438	\$2,609	\$2,673	\$2,838	\$2,861	\$2,890


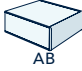



JIMMY PERSONAL TABLE

PRICING

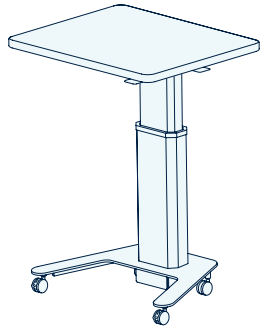
1.2" Top Thickness, Height Adj, Flip-Top, Tilt

SURFACEWORKS PRICING GUIDE

ORIGINAL LINES

	A EDGE BAND	B PREMIUM EDGEBAND	B KNIFE EDGEBAND
	 AB  EB	 EB9	 PK4

Rounded Rectangle



DIMENSIONS	MODEL NUMBER	A	B	C
24D x 30W x 28-44HR	JMS2R.2430	\$2,575	\$2,633	\$2,736



SurfaceWorks Inc.
7821 S. 10th Street | Oak Creek, WI 53154
www.surfaceworks.us

414.570.2677
